

hatch+ulland owen
architects

1010 East 11th Street
Austin, Texas 78702
T: 512.474.8548
F: 512.474.8643
www.huarchitects.com

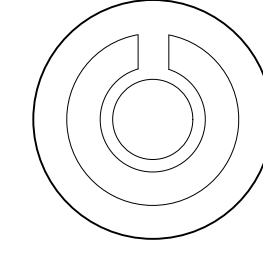
Civil Engineer:
Jose I. Guerra, Inc.
310 South St. Mary's, Suite 825
210-802-0922

Structural Engineer:
Jose I. Guerra, Inc.
310 South St. Mary's, Suite 825
210-802-0922

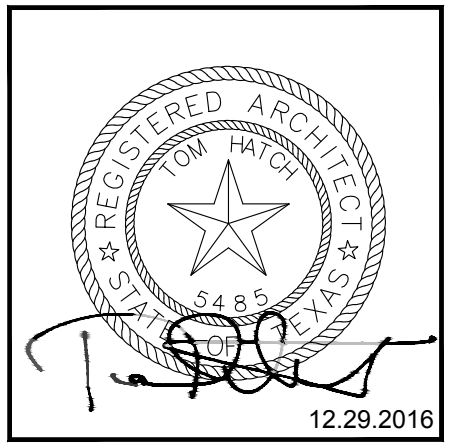
Mechanical, Electrical,
and Plumbing Engineer:
Jose I. Guerra, Inc.
310 South St. Mary's, Suite 825
210-802-0922

Urban Design and
Architectural Consultant:
McCann Adams Studio
515 Congress Avenue Ste 1600
512-732-0001

CARTS Station
NW Corner of Central Ave. & Ave. C
Elgin, Texas 78621

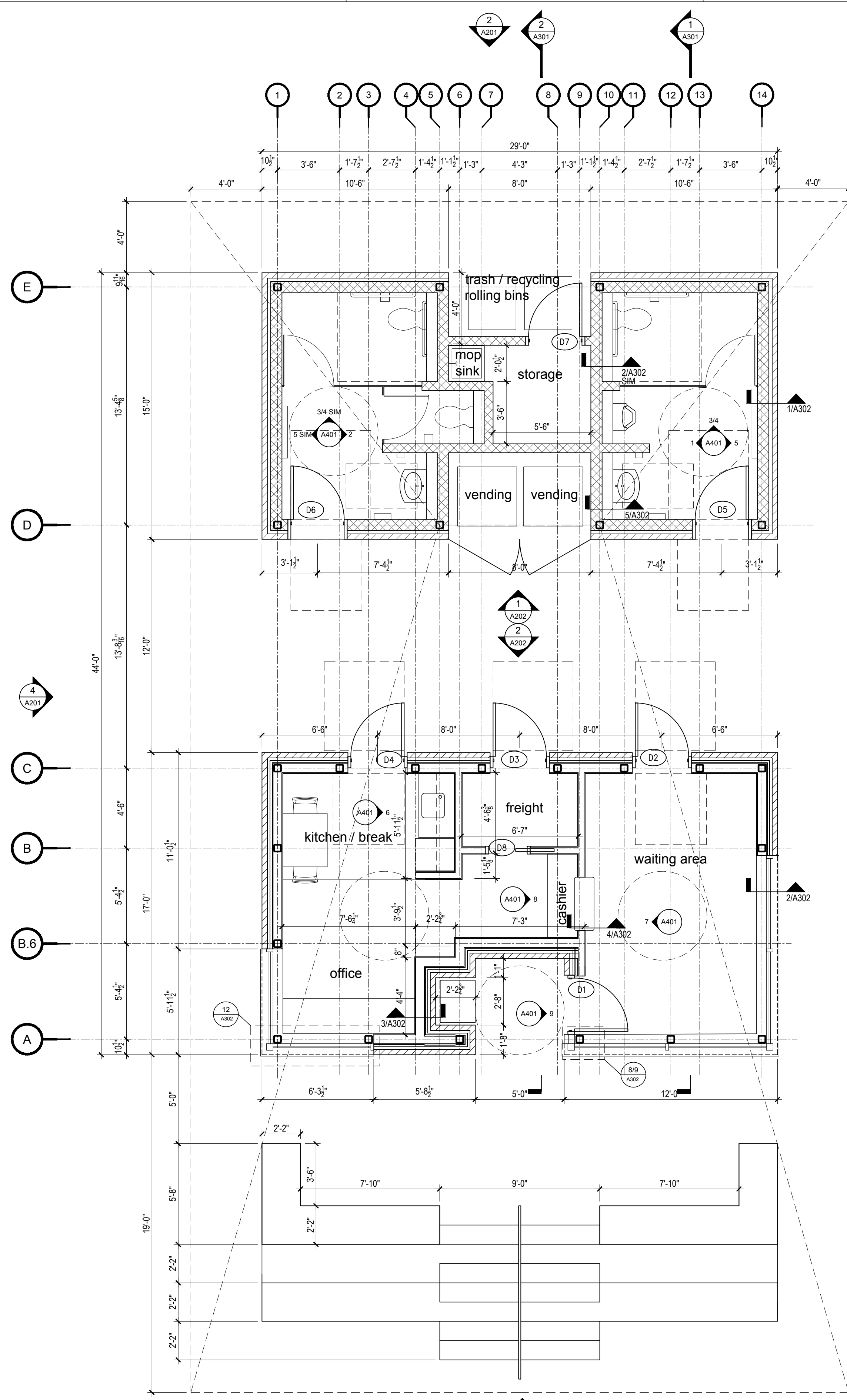


NOTE: This document, the ideas and design incorporated herein are and shall remain the property of H+U architects. These documents are not to be used or altered, in whole or in part, for other than the original intended use, nor are they to be assigned to any third party without written permission from H+U architects.

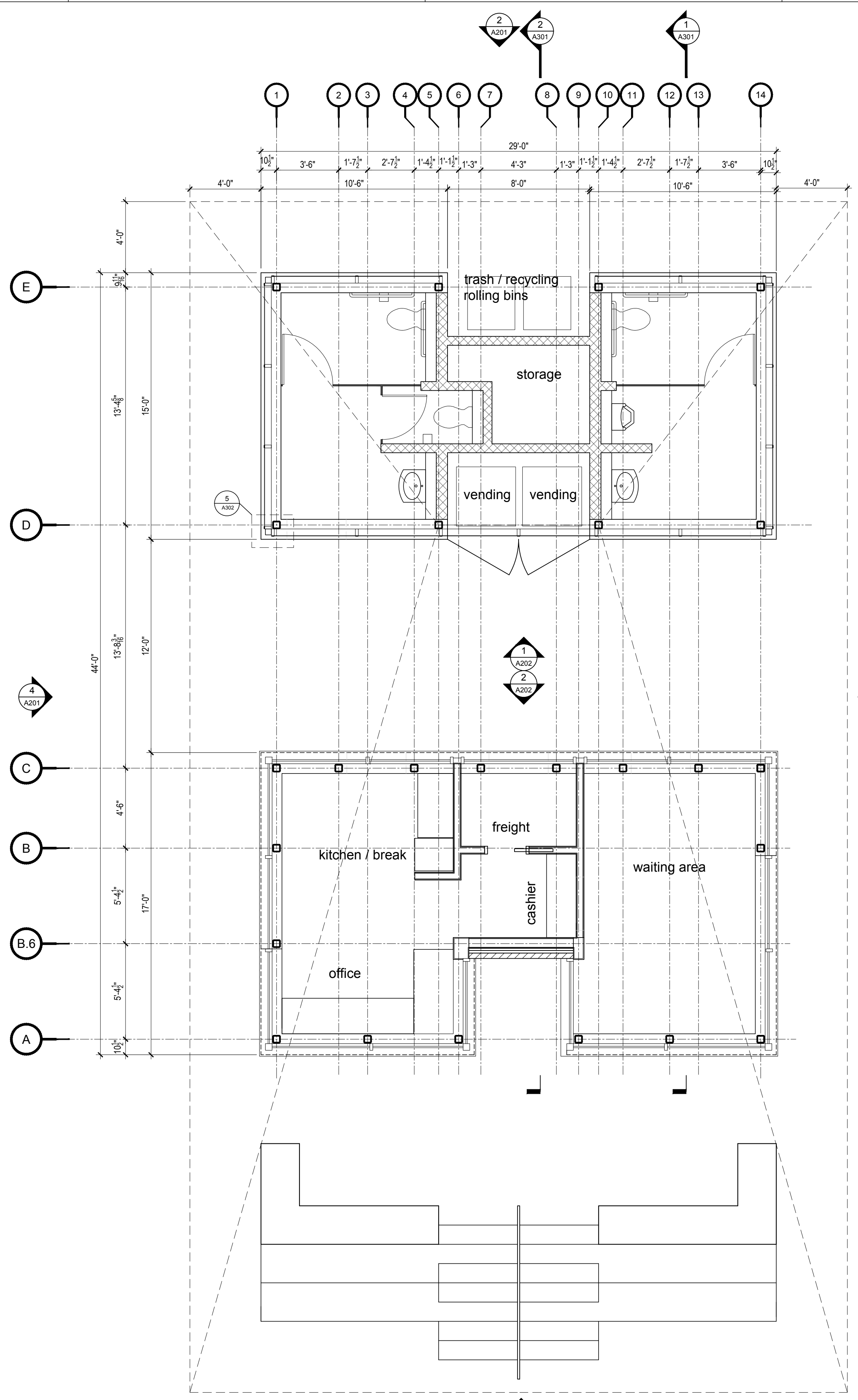


ISSUE DATES:	
12.29.16	100% SET
.....
.....
.....
.....
.....
.....
.....
.....

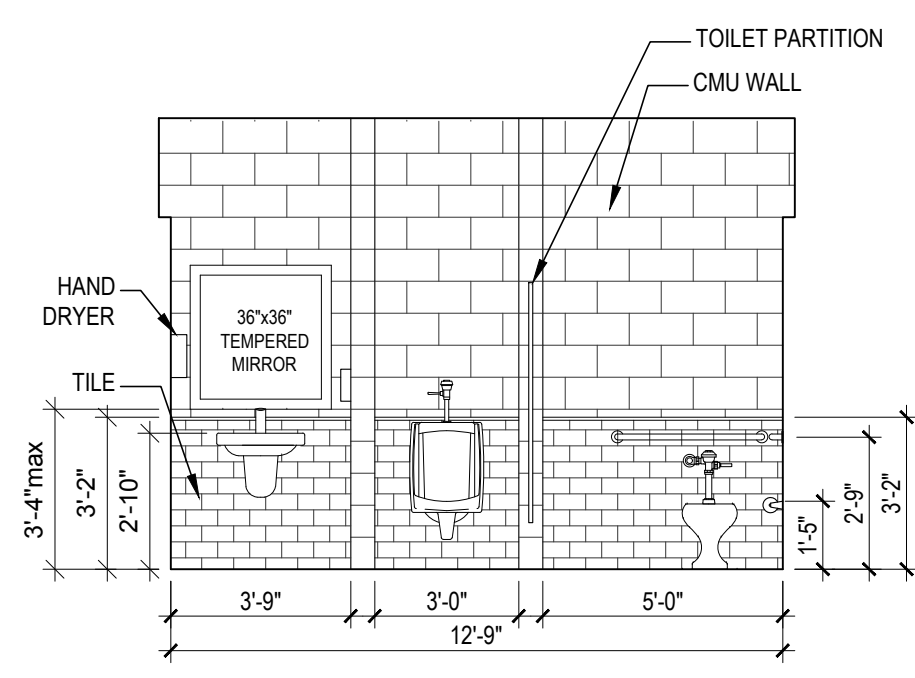
FLOOR
PLANS
A101



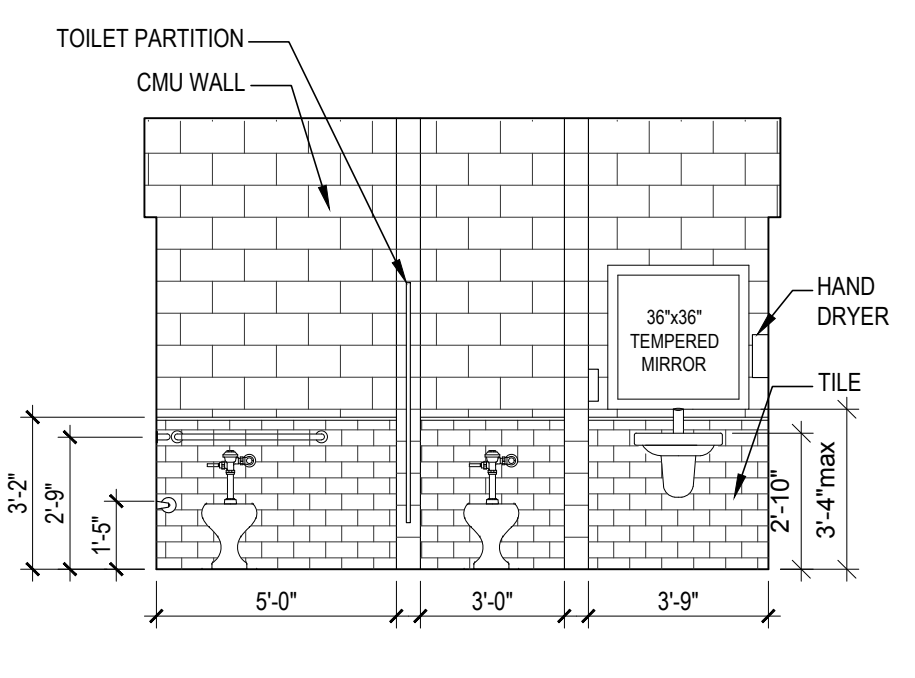
01 Floor Plan
1/4"=1'-0"



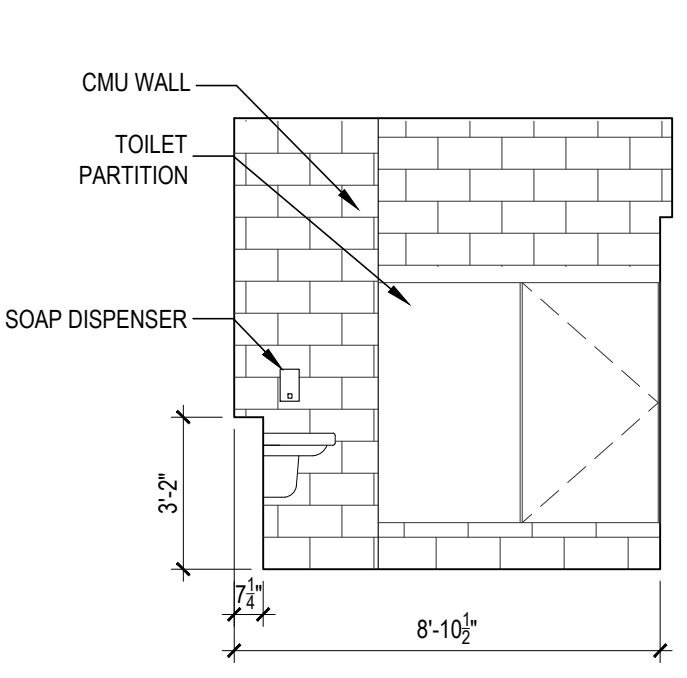
02 Floor Plan @ Clerestory
1/4"=1'-0"



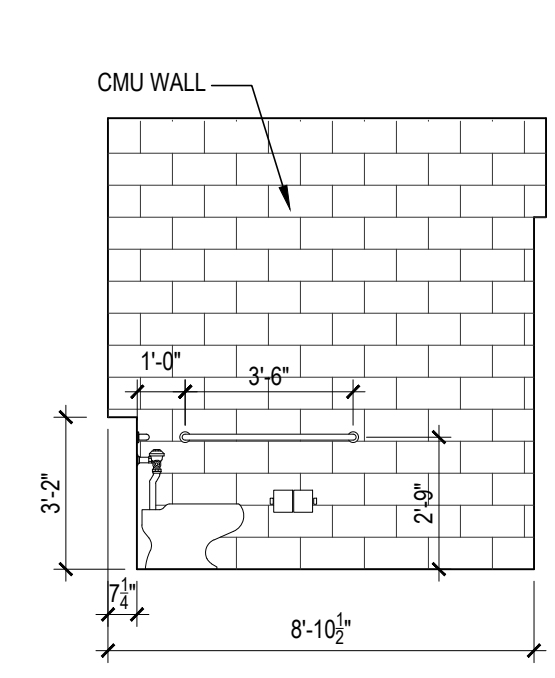
01 Int. Elevation Men's RR
1/4"=1'-0"



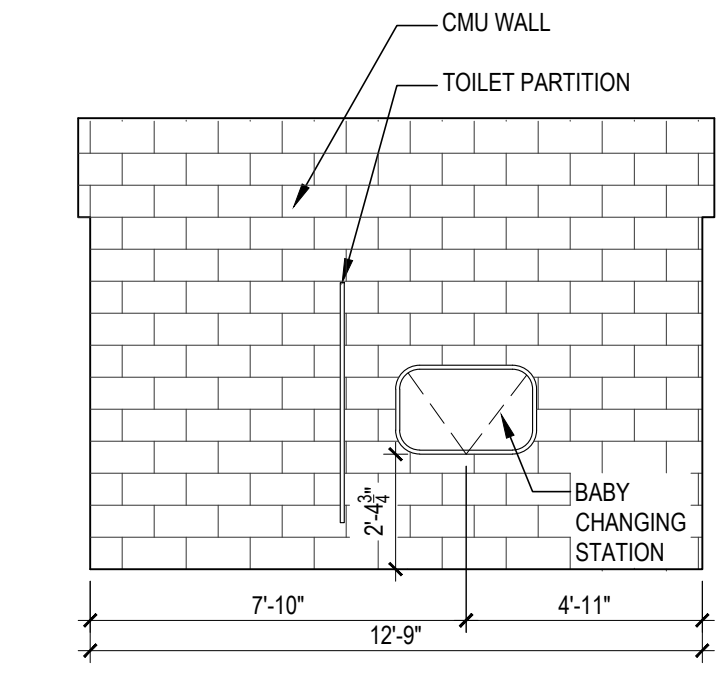
02 Int. Elevation Women's RR
1/4"=1'-0"



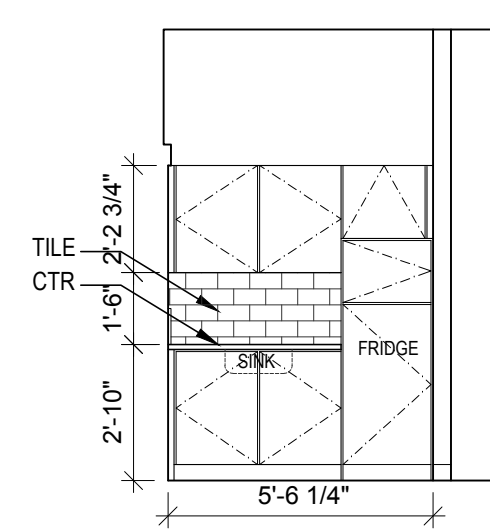
03 Int. Elevation Restrooms
1/4"=1'-0"



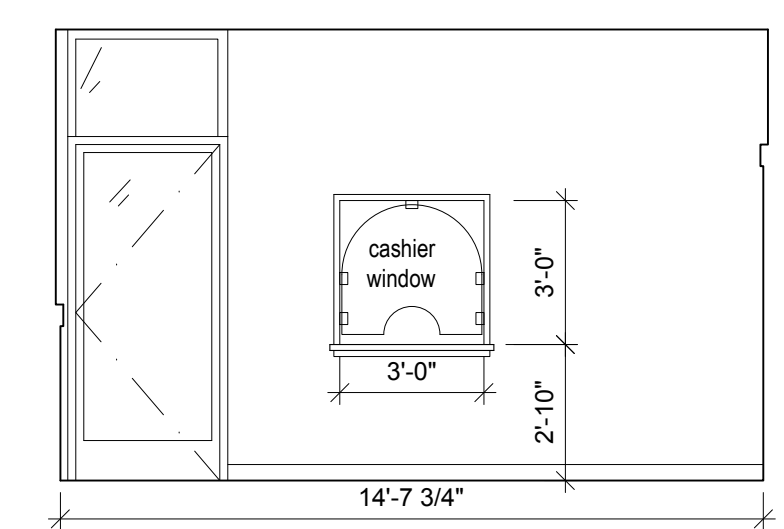
04 Int. Elevation Restrooms
1/4"=1'-0"



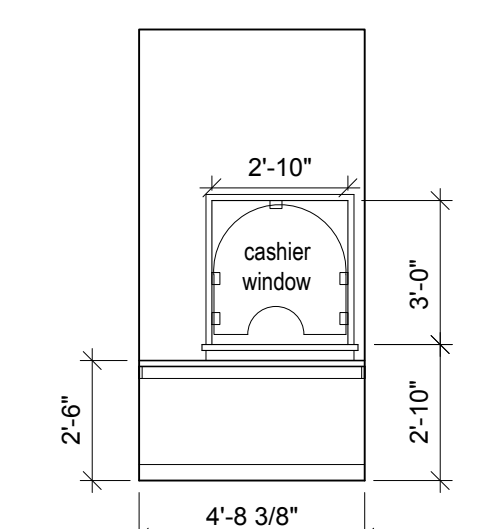
05 Int. Elevation Restrooms
1/4"=1'-0"



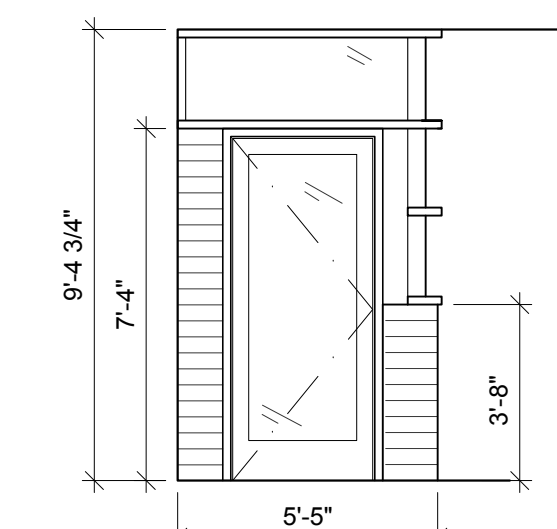
06 Int. Elevation Break Room
1/4"=1'-0"



07 Int. Elevation Waiting Area
1/4"=1'-0"



08 Int. Elevation Office
1/4"=1'-0"



09 Elevation Entry
1/4"=1'-0"

DOOR SCHEDULE

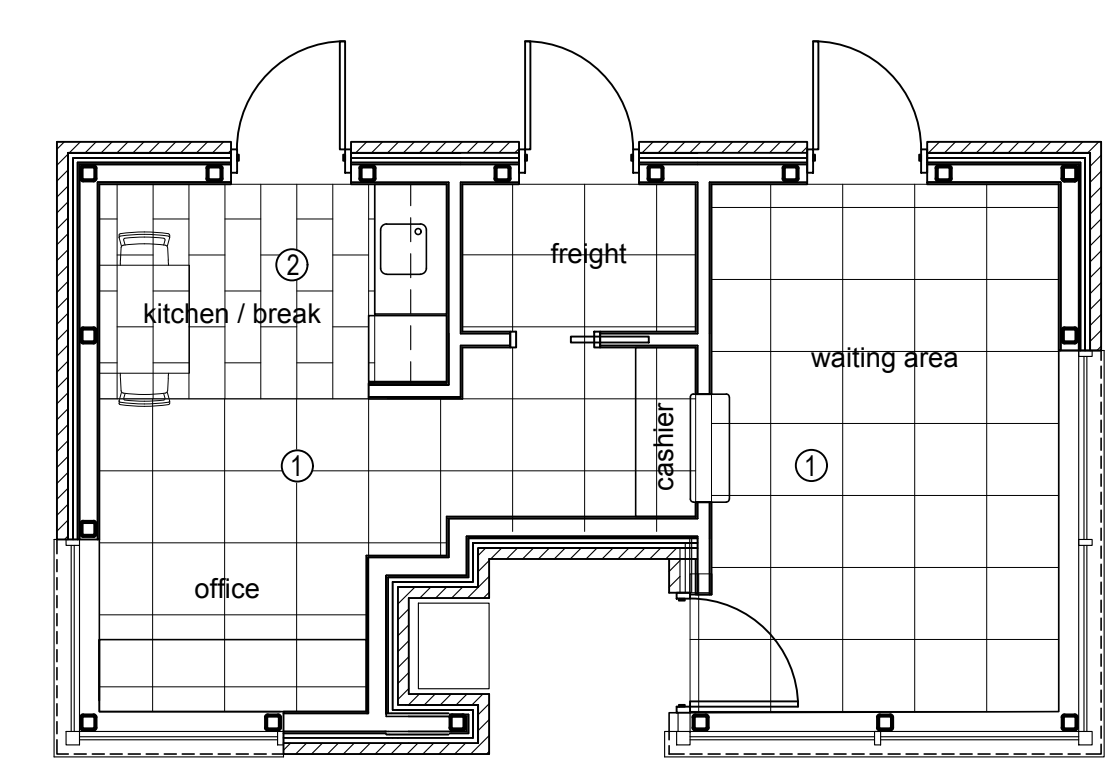
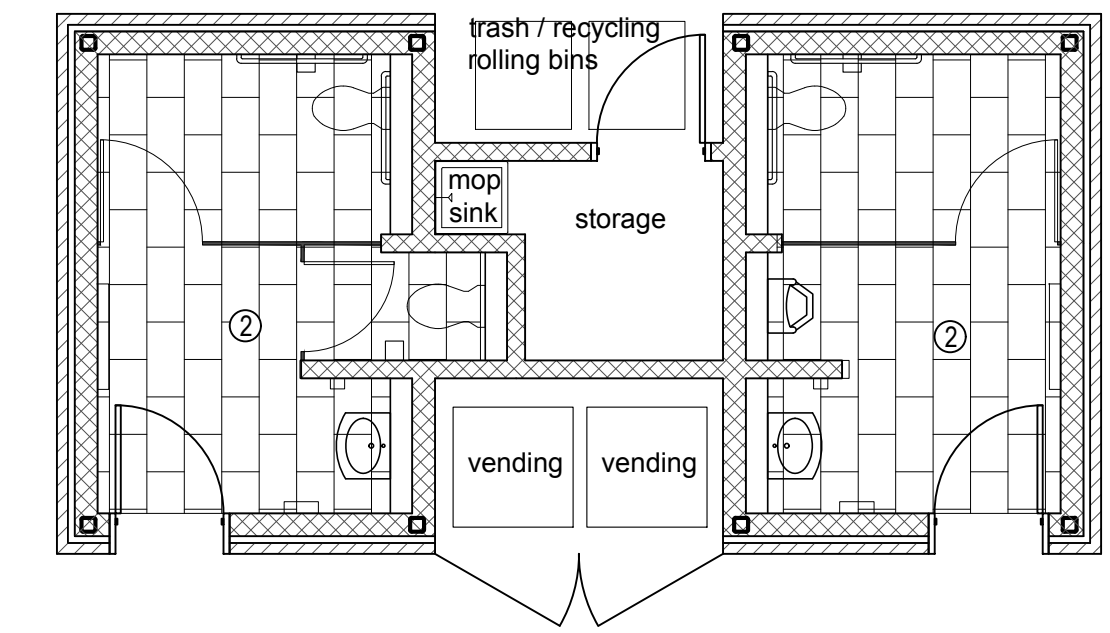
TAG#	ROOM	DOORS			DIMENSIONS			LEFT/RIGHT	FRAMES		NOTES	TAG #
		MATERIAL	FINISH	THICK	WIDTH	HEIGHT	MATERIAL		FINISH			
D1	B	STEEL			3'-0"	7'-0"	1-3/4"	RH	STEEL		COORDINATE WITH ALUM STOREFRONT	D1
D2	B	STEEL	GALVANIZED & PAINTED		3'-0"	7'-0"	1-3/4"	LH	STEEL	GALVANIZED & PAINTED		D2
D3	B	STEEL	GALVANIZED & PAINTED		3'-0"	7'-0"	1-3/4"	LH	STEEL	GALVANIZED & PAINTED		D3
D4	B	STEEL	GALVANIZED & PAINTED		3'-0"	7'-0"	1-3/4"	LH	STEEL	GALVANIZED & PAINTED		D4
D5	B	STEEL	GALVANIZED & PAINTED		3'-0"	7'-0"	1-3/4"	RH	STEEL	GALVANIZED & PAINTED		D5
D6	B	STEEL	GALVANIZED & PAINTED		3'-0"	7'-0"	1-3/4"	LH	STEEL	GALVANIZED & PAINTED		D6
D7	B	STEEL	GALVANIZED & PAINTED		3'-0"	7'-0"	1-3/4"	RH	STEEL	GALVANIZED & PAINTED		D7

FINISH MATERIALS & FIXTURES

RESTROOMS		
FLOOR:	TILE	12"x24" porcelain tile: Daltile Urban Evening
WALLS:	CMU	Painted CMU block - Eggshell Benjamin Moore Chantilly Lace
	STEEL	Painted exposed steel -
	TILE	3"x6" glazed porcelain tile
FIXTURES/APPLIANCES:	SINK	Kohler Pnoir K-2035-1 ADA
	FAUCET	Moen 8553 sensor activated faucet
	BABY CHANGING STATION	Koala KB200-Cream
	SOAP DISPENSER	Bobrick B-2111
	TOILET PARTITIONS	Stainless steel partitions with 5WL anti-graffiti texture
OFFICE/CASHIER/WAITING ROOM		
FLOOR:	TILE	Carpet tile: Patcraft Modular 10301 Spectrum 00431
	BASE	4" Roppe base: 139 Deep Navy
WALLS:	GYP	Paint: Eggshell Benjamin Moore Chantilly Lace
BREAK ROOM		
FLOOR:	TILE	12"x24" porcelain tile: Daltile Urban Evening
WALLS:	GYP	Paint: Eggshell Benjamin Moore Chantilly Lace
COUNTERTOPS:	Corian	Blue Spice
CABINETS:		Haute Link laminate faces: Silver Wings AG8300 Hardware: 160mm Richelieu stainless steel pull
FIXTURES/APPLIANCES:	FAUCET	American Standard 4332.400.075
	SINK	Corian 8252 : Cameo White
	FRIDGE	22" Top-Freezer Summit FF94X
ALL		
CEILING:		Stained, sealed pine T&G siding

- FLOORING**
 ① 24"x24" CARPET TILE
 ② 12"x24" PORCELAIN TILE

- FINISH NOTES:**
 1. FLOOR FINISH TO BE BROOM FINISH CONCRETE UNLESS OTHERWISE NOTED AS TILE OR CARPET ON FINISH PLAN.
 2. 4" RUBBER BASE TO BE INSTALLED IN KITCHEN, OFFICE, FREIGHT AND WAITING AREA.
 3. EXPOSED STEEL TO BE PAINTED.



10 Plan - Floor Finish
3/16"=1'-0"